

# NOVA LED Street Light



## Areas of application

- Local roads
- Express roads
- Town roads
- Residential area roads
- Pedestrian crossings
- Parking areas



## Product Benefits

- 70% energy saving, short ROI period
- Up to 100,000hrs @ L70, low maintenance cost
- Wide choice of optics for different applications
- Smart design, low transportation costs
- Smooth back of fixture is designed to prevent dust accumulation
- 5 years warranty

## Product Features

- Luminaire efficacy: Up to 140 lm /w
- Lifetime more than 100,000 hours
- Impact resistance: IK10
- Type of protection: IP66



## Product Datasheet

### Version S

| Model No        |                     | ZGSM-ST18-30S        | ZGSM-ST18-40S        | ZGSM-ST18-50S        |
|-----------------|---------------------|----------------------|----------------------|----------------------|
| Nominal Wattage |                     | 30W                  | 40W                  | 50W                  |
| 3030 Version    | Efficiency<br>Lumen | 130 lm /w<br>3900 lm | 130 lm /w<br>5200 lm | 130 lm /w<br>6500 lm |
| 5050 Version    | Efficiency<br>Lumen | 140 lm /w<br>4200 lm | 140 lm /w<br>5600 lm | 140 lm /w<br>7000 lm |

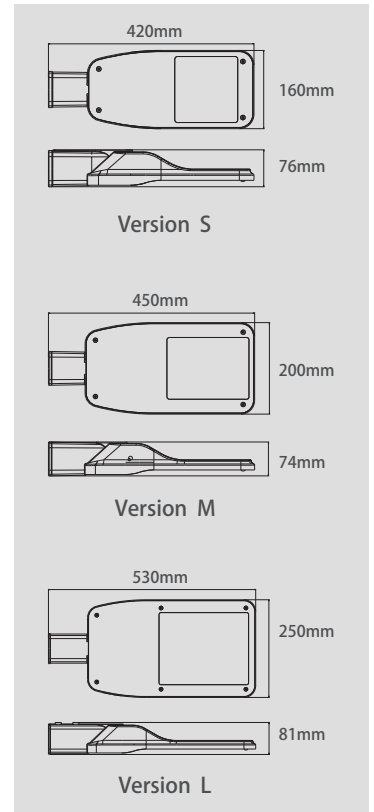
### Version M

| Model No        |                     | ZGSM-ST18-60M        | ZGSM-ST18-80M         | ZGSM-ST18-100M        |
|-----------------|---------------------|----------------------|-----------------------|-----------------------|
| Nominal Wattage |                     | 60W                  | 80W                   | 100W                  |
| 3030 Version    | Efficiency<br>Lumen | 130 lm /w<br>7800 lm | 130 lm /w<br>10400 lm | 120 lm /w<br>12000 lm |
| 5050 Version    | Efficiency<br>Lumen | 140 lm /w<br>8400 lm | 140 lm /w<br>11200 lm | 130 lm /w<br>13000 lm |

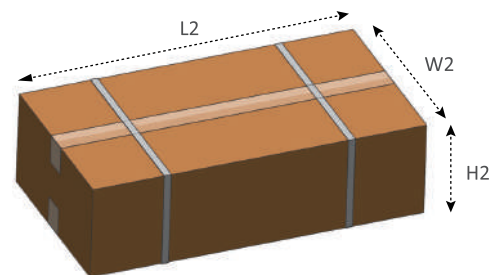
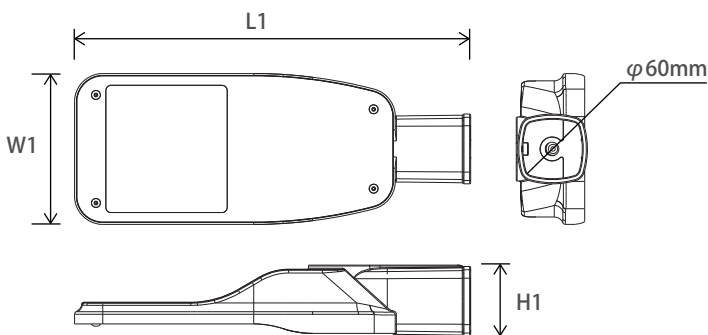
### Version L

| Model No        |                     | ZGSM-ST18-120L        | ZGSM-ST18-150L        |
|-----------------|---------------------|-----------------------|-----------------------|
| Nominal Wattage |                     | 120W                  | 150W                  |
| 3030 Version    | Efficiency<br>Lumen | 130 lm /w<br>15600 lm | 130 lm /w<br>19500 lm |
| 5050 Version    | Efficiency<br>Lumen | 140 lm /w<br>16800 lm | 140 lm /w<br>21000 lm |

\*Above values are calculated based on the product with CCT over 3000K, and values of 3000K are 5% lower than above values.  
 \*Values shown are subject to  $\pm 5\%$  tolerance.



## Dimension:



#### Fixture Information

| Version | L1 xW1 xH1     | Weight |
|---------|----------------|--------|
| S       | 420 x160 x76mm | 2.0kg  |
| M       | 450 x200 x74mm | 2.6kg  |
| L       | 530 x250 x81mm | 3.8kg  |

#### Package Information

| Version | L2 xW2 xH2      | Weight |
|---------|-----------------|--------|
| S       | 425 x165 x135mm | 2.3kg  |
| M       | 455 x205 x135mm | 2.9kg  |
| L       | 535 x255 x135mm | 4.3kg  |

## Product Datasheet

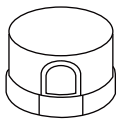
### Electrical Data:

|                                      |  |
|--------------------------------------|--|
| Nominal Voltage                      | AC 100-240V /277V   50 /60Hz                 |
| LED                                  | Bridgelux /Other brands on request           |
| Driver                               | DONE /Other brands on request                |
| Power Factor (PF)                    | >0.90  |
| THD                                  | <15  |
| SPD                                  | 10KV (Default) / 20KV (available on request) |
| Optics                               | Type II, Type III                            |
| Standard Deviation of Color Matching | <5 SDCM                                      |
| CRI                                  | Ra>70 (Default) / Ra>80                      |
| CCT                                  | 3000K, 4000K, 5000K, 5700K                   |

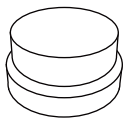
### General Data

|                       |  |
|-----------------------|--|
| Body Material         | High pressure die-cast aluminum  |
| Housing Color         | Gray (Default) /Black (available on request)   |
| Cover Material        | Tempered glass   |
| Lens Material         | UV-resistant Polycarbonate   |
| Working Environment   | -40° C ~ +50° C, 10%~90%RH   |
| Lifespan L70 at 25° C | >100,000 h   |
| Mounting Type         | Side entry   |
| Dimmable              | Non-dimming (Default) /1-10v(available on request)   |
| Protection Class      | Class I (Default) /Class II  |
| Standards             | CE, RoHS, LM79, LM80, TM-21, IP66, IK10  |
| Available on request  | NEMA socket (3/5/7pins), ZHAGA socket, Short cap, Photocell, Motion sensor, NTC, OLC, Solar Compatible, 1-10V/DALI Dimming |

### Optional accessories



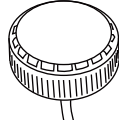
Photocell



Short Cap



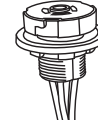
NEMA Socket  
(3 /5 /7pin)



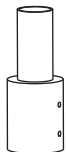
Motion Sensor



Smart Controller



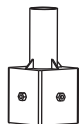
ZHAGA Socket



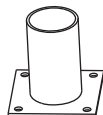
"80-60mm"



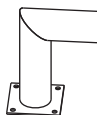
"60-40mm"



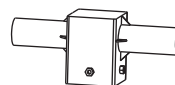
Square to round



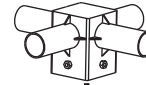
"T" Type



"L" Type



"2" in "1"

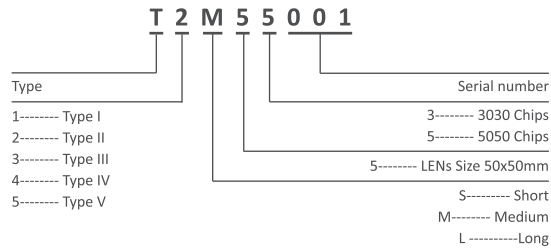


"4" in "1"

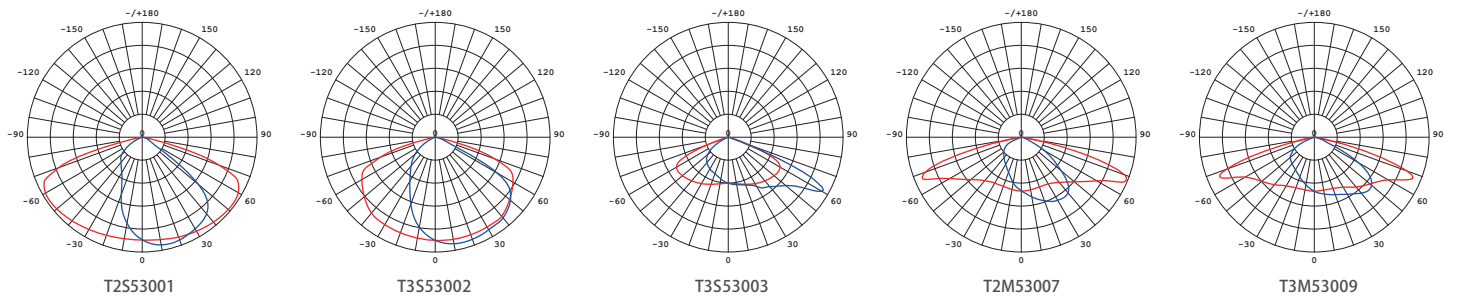
## Product Datasheet

### Light Distributions

#### Order reference



#### 3030 Version



#### 5050 Version

